

HEATER CONTROL (3.8)
VENTILATION CONTROL (3.9)

ARMREST ANGLE ADJUST CONTROL

TORQUE SPEC (6.2)

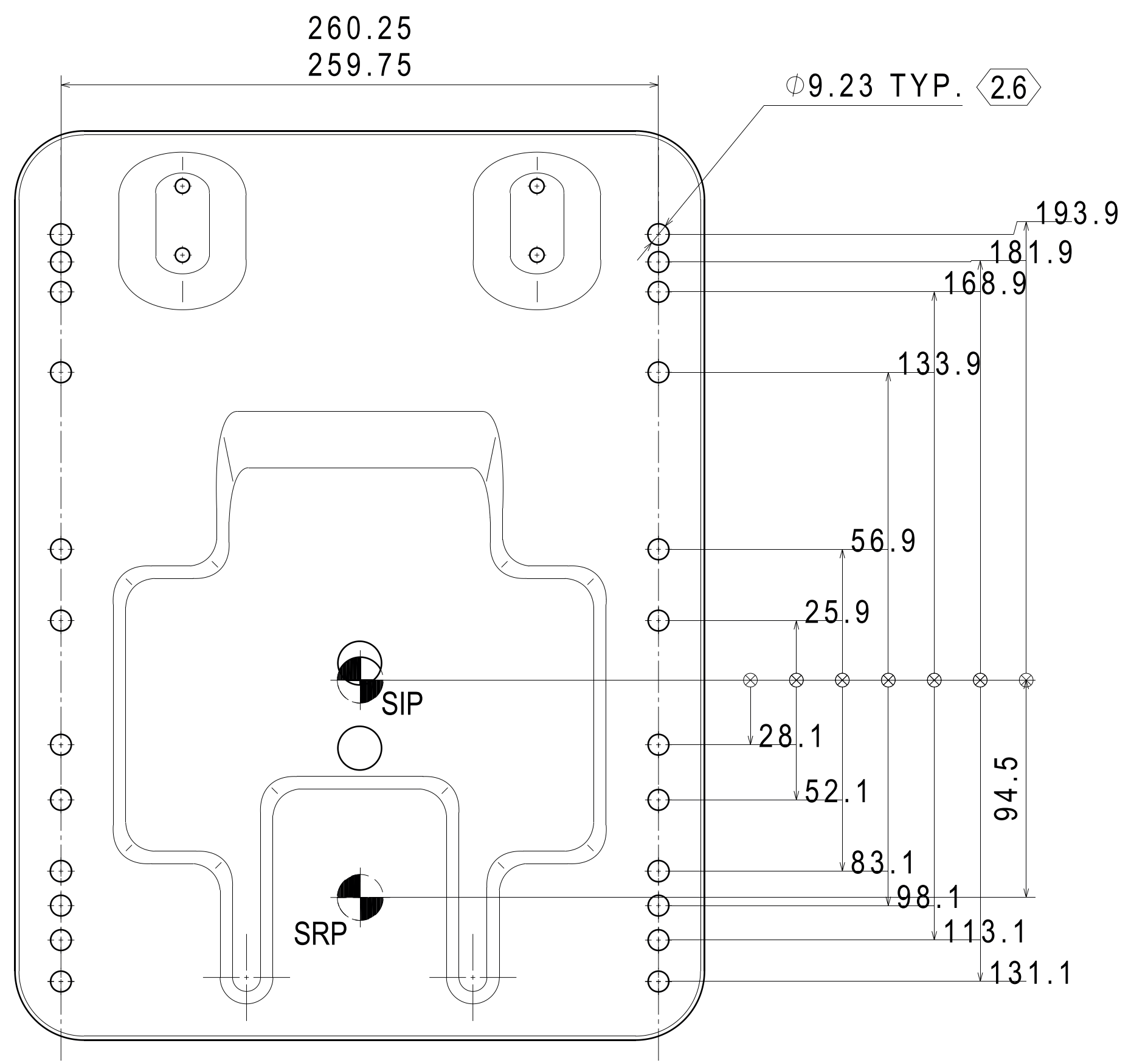
CUSHION ANGLE ADJUSTMENT (3.2)

CUSHION LENGTH ADJUSTMENT (3.3)

FORE & AFT POSITION & ISOLATION CONTROL

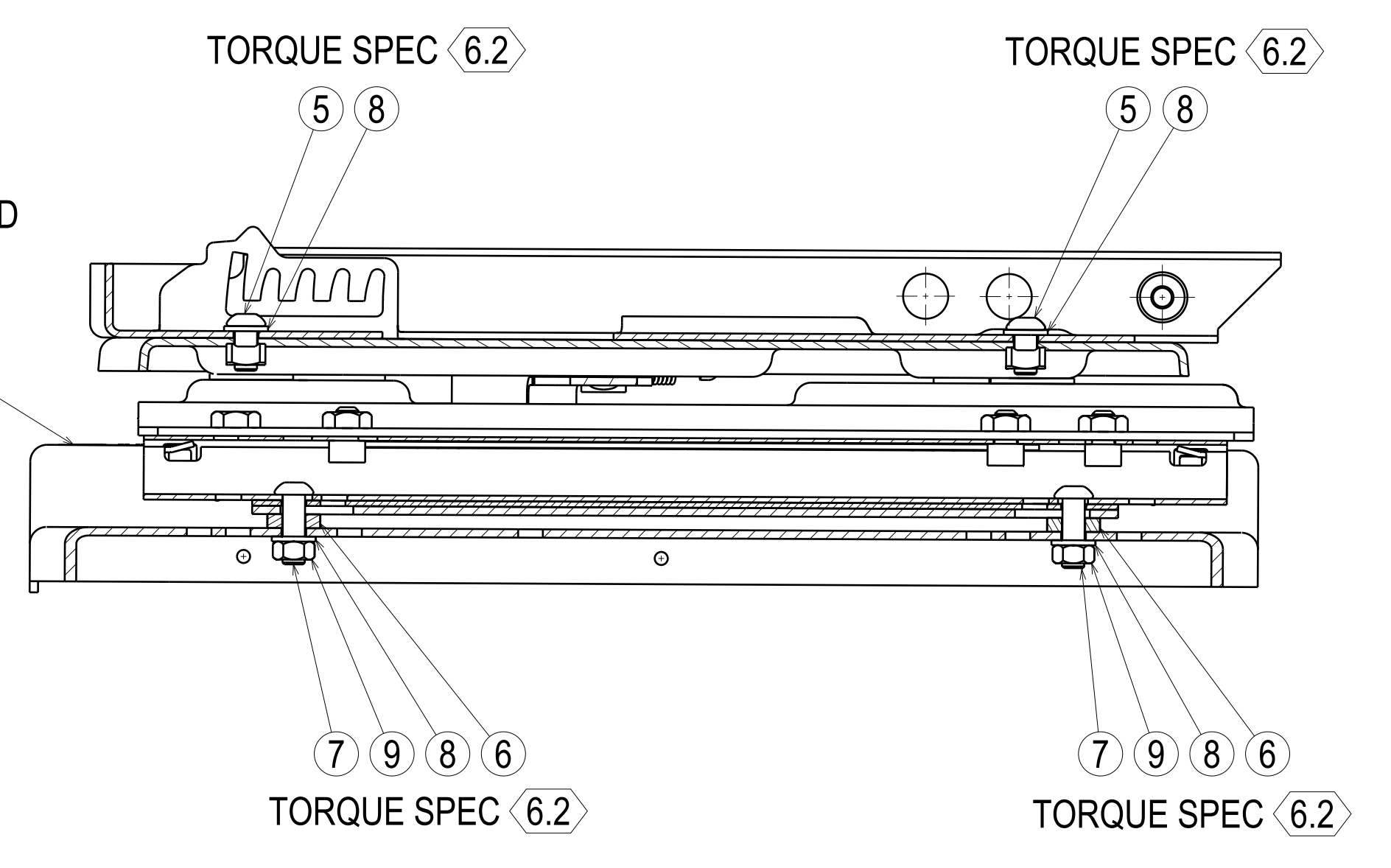
HEIGHT/WEIGHT ADJUSTMENT (5.2)
AUTO MIDRIDE CONTROL
HEIGHT INDICATOR

530 SEAT CUSHION WIDTH

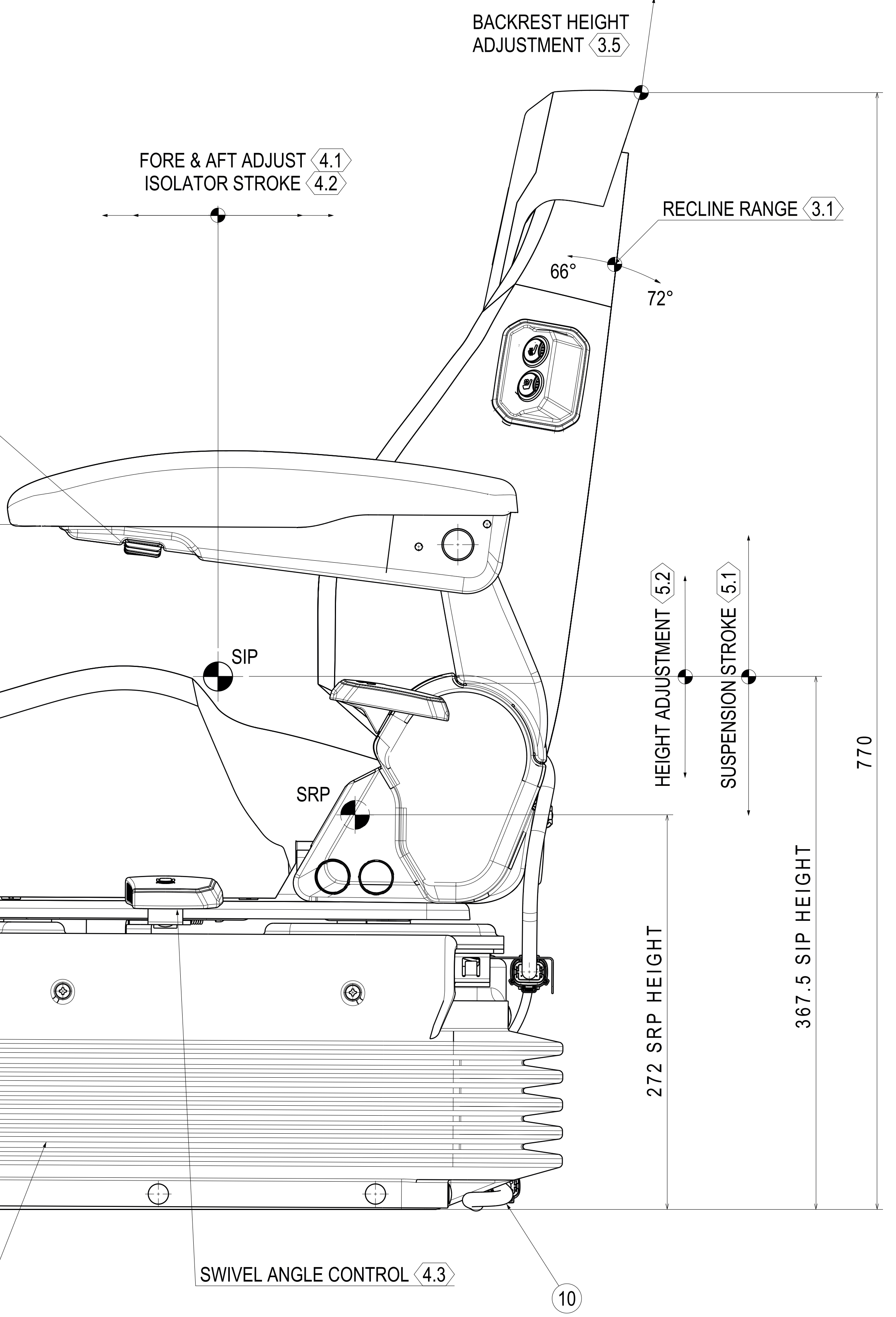


PARTIAL BOTTOM VIEW SHOWING FLOOR FIXING PATTERN

E-MARK DECAL TO BE ADHERED TO SUSPENSION TOP PLATE IN VISIBLE LOCATION (14)



PARTIAL SECTION VIEW A-A (SCALE 1:2)



SEAT ELECTRICAL INTERFACE		
MOLEX MX150 0334720801 : TERMINAL 0330122002		
PIN No.	WIRE COLOUR	CONNECTION
1	RED	SUSP. COMPRESSOR +VE
2	BROWN	SENSOR 1 +VE
3	PURPLE	SENSOR 1 -VE
4	BLACK	SUSP. COMPRESSOR -VE
5	RED	HEATER +VE
6	ORANGE	SENSOR 2 +VE
7	WHITE	SENSOR 2 -VE
8	BLACK	HEATER -VE

ASSY No. 215882				
ITEM	DRAWING No.	DESCRIPTION	PART No.	QTY
1	215885	KB UPPER ASSY	215885	1
2	215636	APD ASSY	215636	1
3	215439	86 SUSPENSION ASSY	215439	1
4	215177	BACKREST EXTENSION	215177	1
5	ENG STD 205	SCREW M8x16	53490180006	4
6	STD222	SPACER	97017	4
7	2050825013	SCREW M8x25	2050825013	4
8	ENG STD 218	PL WASHER	53530020006	8
9	ENG STD 208	M8 NUT	53500250005	4
10	165961	12V LABEL	165961	1
11	195681	ARMREST ASSY LH	195681	1
12	195681	ARMREST ASSY RH	195682	1
13	ENG STD 229	M8x45 TORX SCREW	195232	1
14	216317	DECAL (E-MARK)	216317	1

SR NO.	SC/CC	DESCRIPTION	VALUES
1	GENERAL INFORMATION		
1.1	SC	SIP POSITION IS MEASUREMENT	ISO5353
1.2	SC	SEAT DIMENSIONS & ADJUSTMENTS	ISO1112
1.3	SC	VIBRATION PERFORMANCE LEGISLATIVE COMPLIANCE	ISO5007 CLASS 2 & 3 ECE 167/2013 CLASS 2 & 3
1.4		TYPE REFERENCE APPROVAL NO.	TBC
1.5	CC	FLAMMABILITY	ISO3795
1.6	SC	OPERATOR WEIGHT RANGE	50-150KG
2	VEHICLE INTERFACES		
2.1		ELECTRICAL SUPPLY - COMPRESSOR CIRCUIT	12V, 15A max (VEHICLE MUST BE FUSED)
2.2		ELECTRICAL SUPPLY - HEATER (IF ISOLATED FROM COMPRESSOR)	12V, 10A max
2.3	CC	ELECTRICAL SUPPLY - OCCUPANT DETECTION & SEATBELT SYSTEMS	16V & 10mA max
2.4		PNEUMATIC SUPPLY - PIPE SIZE	N/A
2.5		PNEUMATIC SUPPLY - MAX PRESSURE	N/A
3	UPPER MODULE		
3.1		BACKREST RECLINE ADJUSTMENT (DRAWN AT 8°)	+71.25° / -65.6° (1.875° INCR.)
3.2		CUSHION ANGLE ADJUSTMENT (DRAWN AT 0°)	0-8° (3 POSNS)
3.5		BACKREST/ HEADREST HEIGHT ADJUSTMENT	0-80mm (20mm INCR.)
3.6		SEAT SENSOR SIGNAL (UNOCCUPIED/ OCCUPIED)	0V / +VE
3.7		LUMBAR ADJUSTMENT	0-50mm
3.8		HEATER TEMP (USER SETTINGS)	36°C/ 38°C/ 40°C
3.9		VENTILATION AIRFLOW RATE	HIGH; MED; LOW
3.12		DOCUMENT STORAGE	A4x25mm (BACK POUCH)
4	APD MODULE		
4.1		LONGITUDINAL ADJUSTMENT	±75mm
4.2		LONGITUDINAL ISOLATOR STROKE	±25mm
4.3		ROTATIONAL ADJUSTMENT	20°CW / 20°ACW
5	SUSPENSION MODULE		
5.1		TOTAL SUSPENSION STROKE AT MID POSN	±87.5mm
5.2	SC	HEIGHT ADJUSTMENT (INTEGRAL TO STROKE)	±37.5mm
6	TORQUE SPECIFICATIONS		
6.1		GRD 8.8 BOLTS & SCREWS	KAB SPEC 065
6.2		GRD 10.9 BOLTS & SCREWS	KAB SPEC 147

