



KAB // Seating



THE **GSX** RANGE 3000

**AVAILABLE NOW
TO ORDER**



GSX
Base



GSX
Partner

Available in grey fabric and moquette



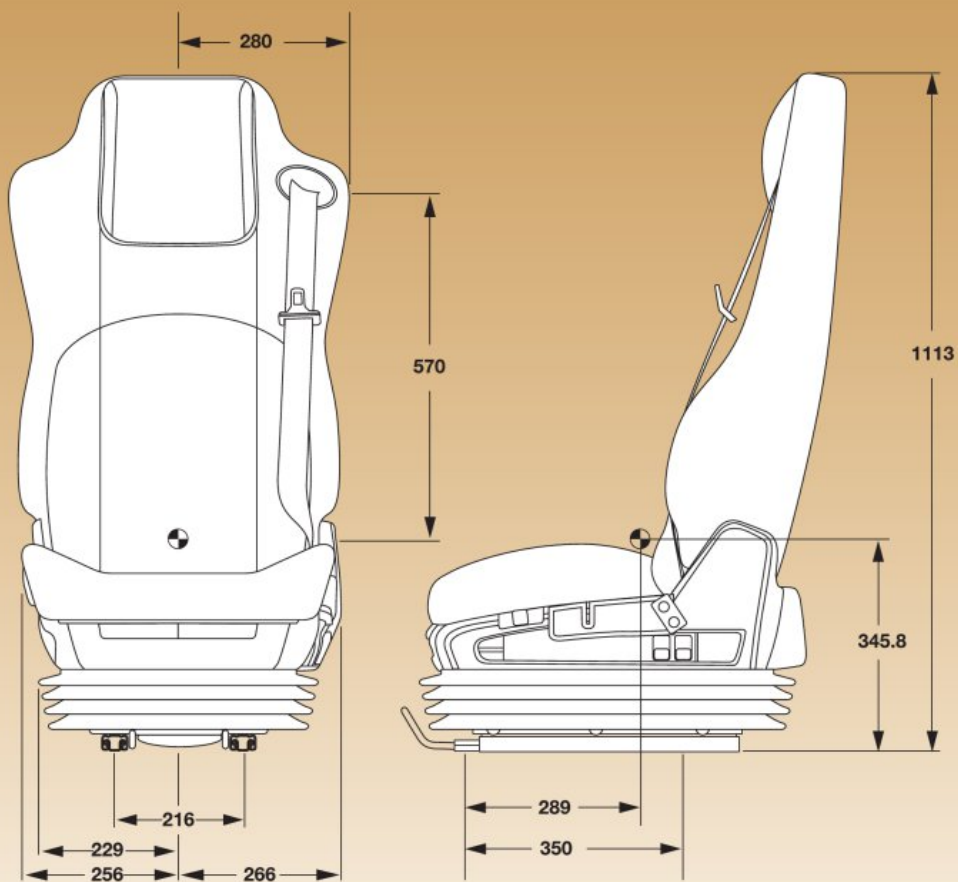
GSX
Comfort

Available in LH and RH versions

kabvehicleseats@cvgrp.com

enter the comfort zone

Part Number	RPL No.	Trim	LH/RH	Back angle adjustment	Cushion extension	Air suspension	Memory valve	Express lowering valve	Adjustable shock	Height adjustment	Seat angle adjustment	Mechanical Lumbar	Twin Lumbar adjustment	Integrated seat belt	Integrated headrest	Fore/aft adjustment	Heater elements	Flip up cushion	Driver weight range	Seat weight
GSX BASE	213015	RPL2225	Grey Fabric + moquette	LH	•	•	•			•	•	•		•	•	•			50 - 150kg	39kg
GSX COMFORT	208830	RPL2224	Grey Fabric + moquette	RH	•	•	•	•	•	•	•		•	•	•	•	•		50 - 150kg	39kg
GSX COMFORT	208829	RPL2223	Grey Fabric + moquette	LH	•	•	•	•	•	•	•		•	•	•	•	•		50 - 150kg	39kg
GSX PARTNER	213014	RPL2226	Grey Fabric + moquette	LH	•										•			•	50 - 150kg	30kg
GSX UNTRIMMED	208838	RPL2223	-	LH	•	•				•	•		•	•	•		•		50 - 150kg	39kg
GSX UNTRIMMED	208839	RPL2224	-	RH	•	•				•	•		•	•	•		•		50 - 150kg	39kg



Distributor



Scan here for more information on the GSX range

FOR FURTHER INFORMATION CALL:
 +32 (0)2 367 1310 for Continental Europe
 +44 (0) 1604 790500 for UK, Ireland and International
 +46 (0) 8 554 427 00 for Nordic regions
 or visit our website www.kabseating.com

kabvehicleseats@cvgrp.com



Twitter@KABSeatingUK



www.YouTube.com/KABSeating



TÜV accredited

enter the comfort zone