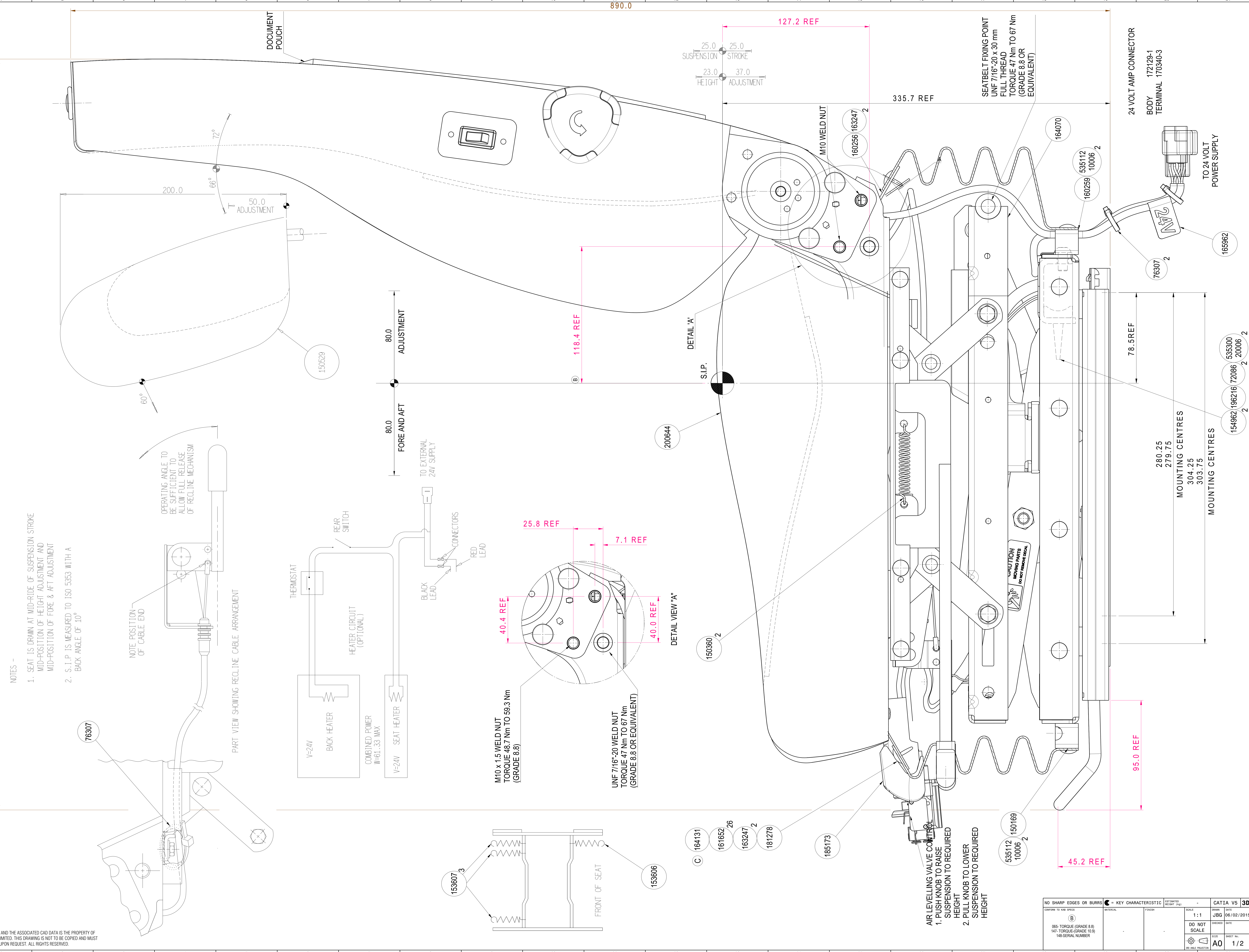
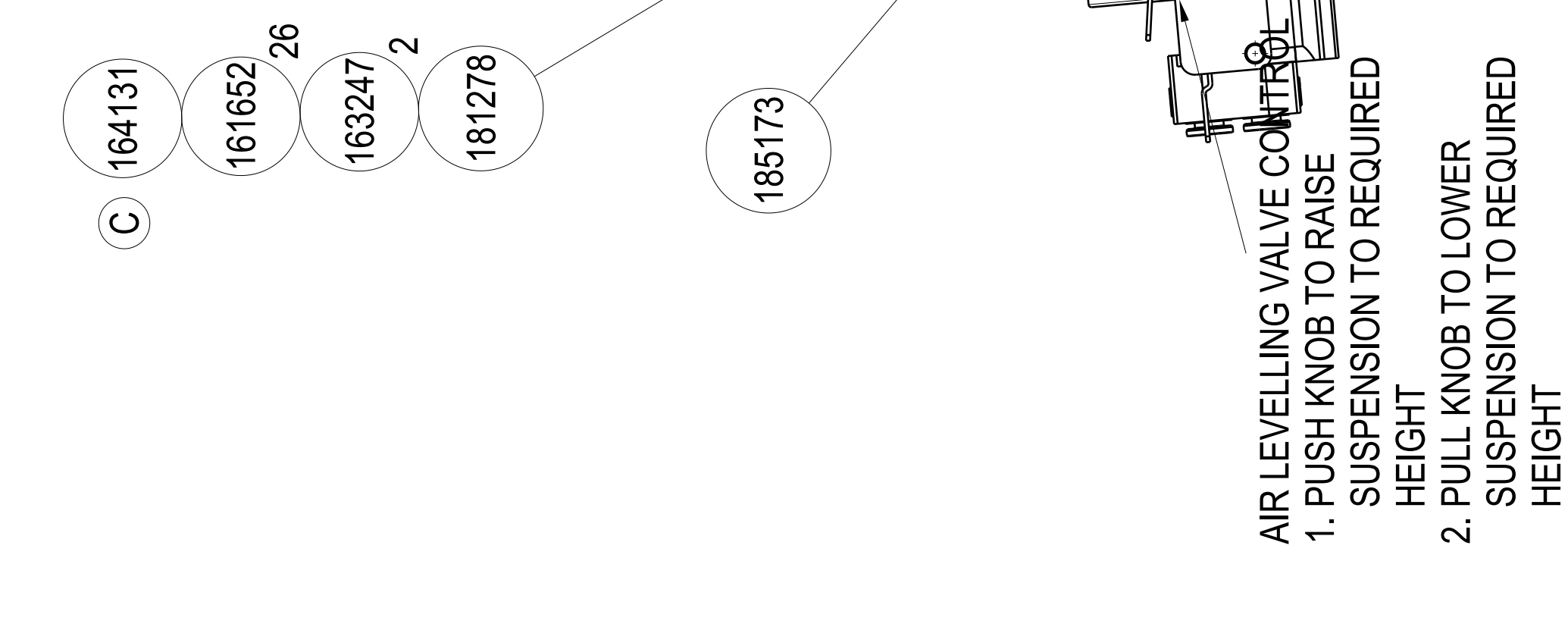
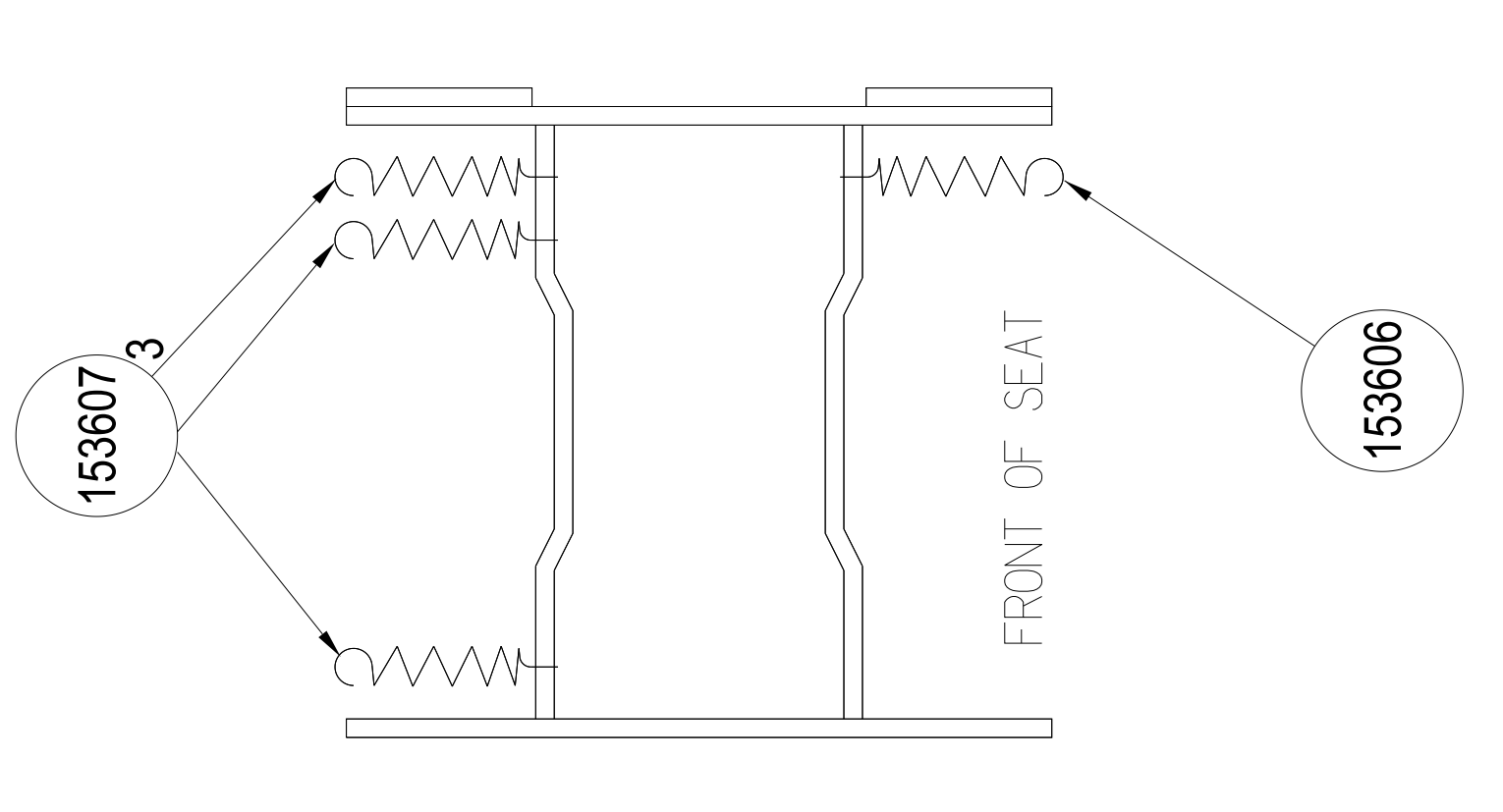
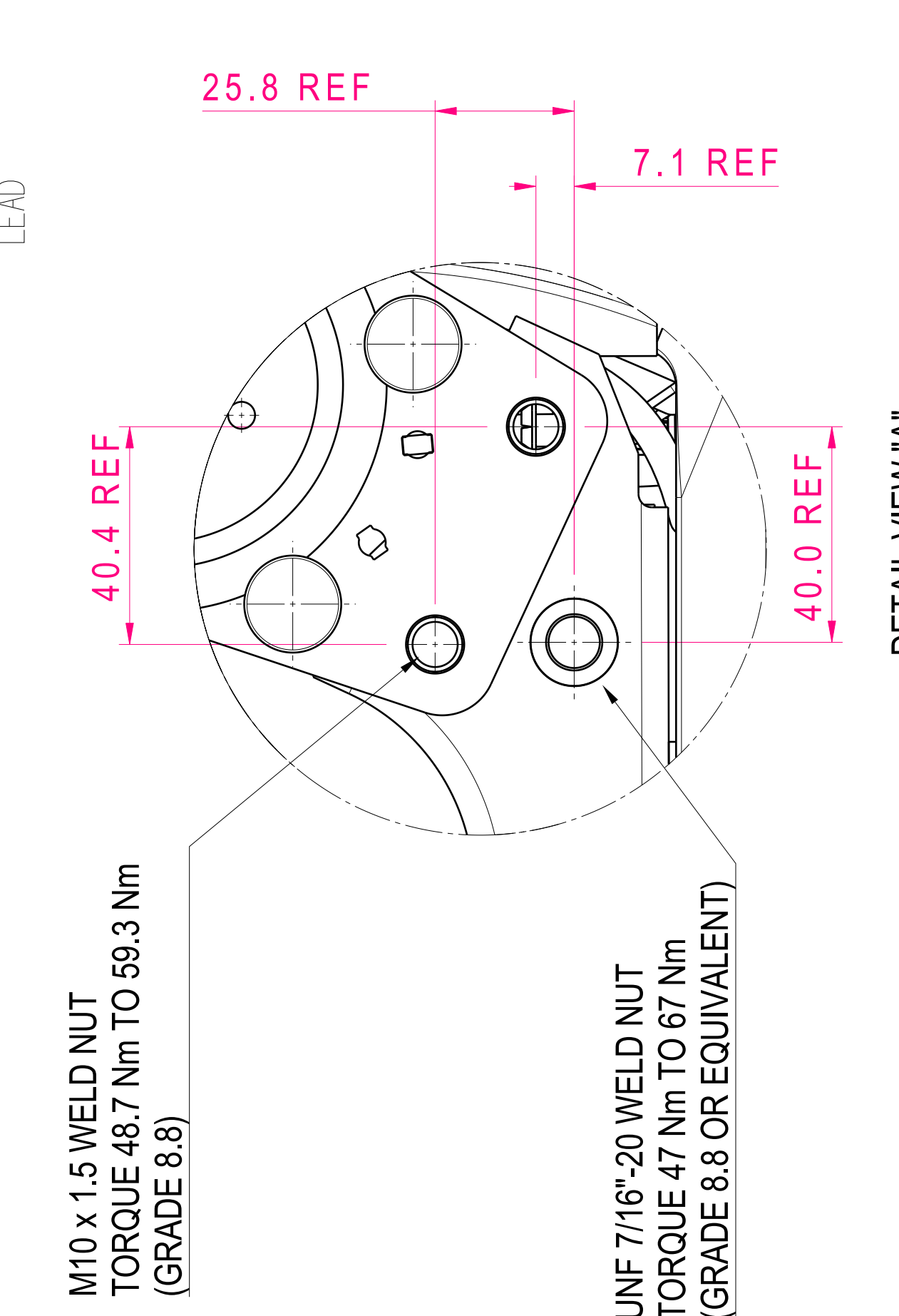
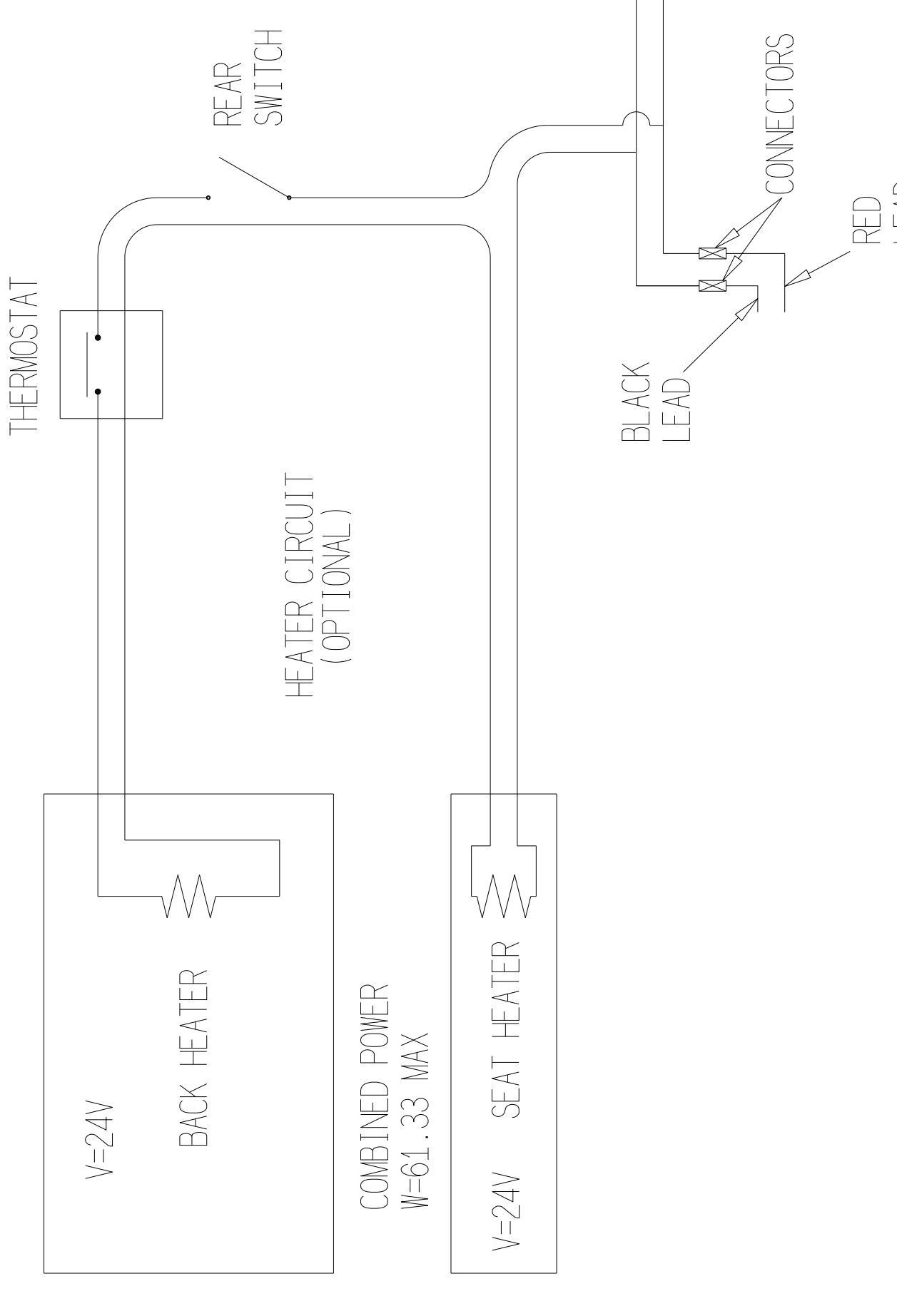
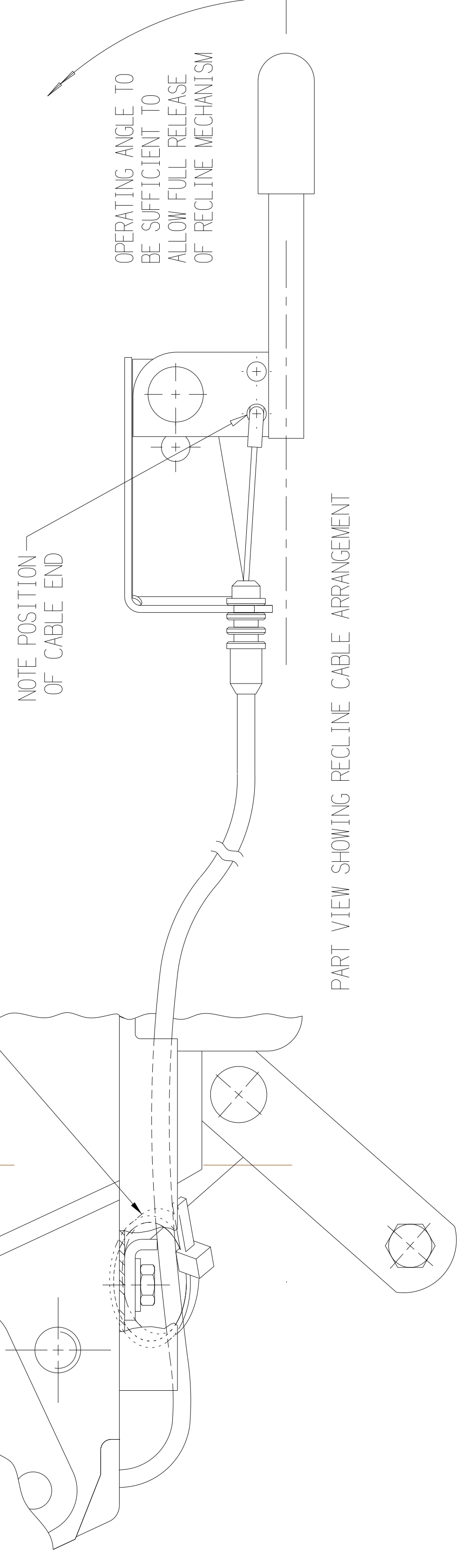


660.0  
640.0



- NOTES -
- SEAT IS DRAWN AT MID-RIDE OF SUSPENSION STROKE  
MID-POSITION OF HEIGHT ADJUSTMENT AND  
MID-POSITION OF FORE & AFT ADJUSTMENT
  - S.I.P. IS MEASURED TO ISO 5353 WITH A  
BACK ANGLE OF 10°

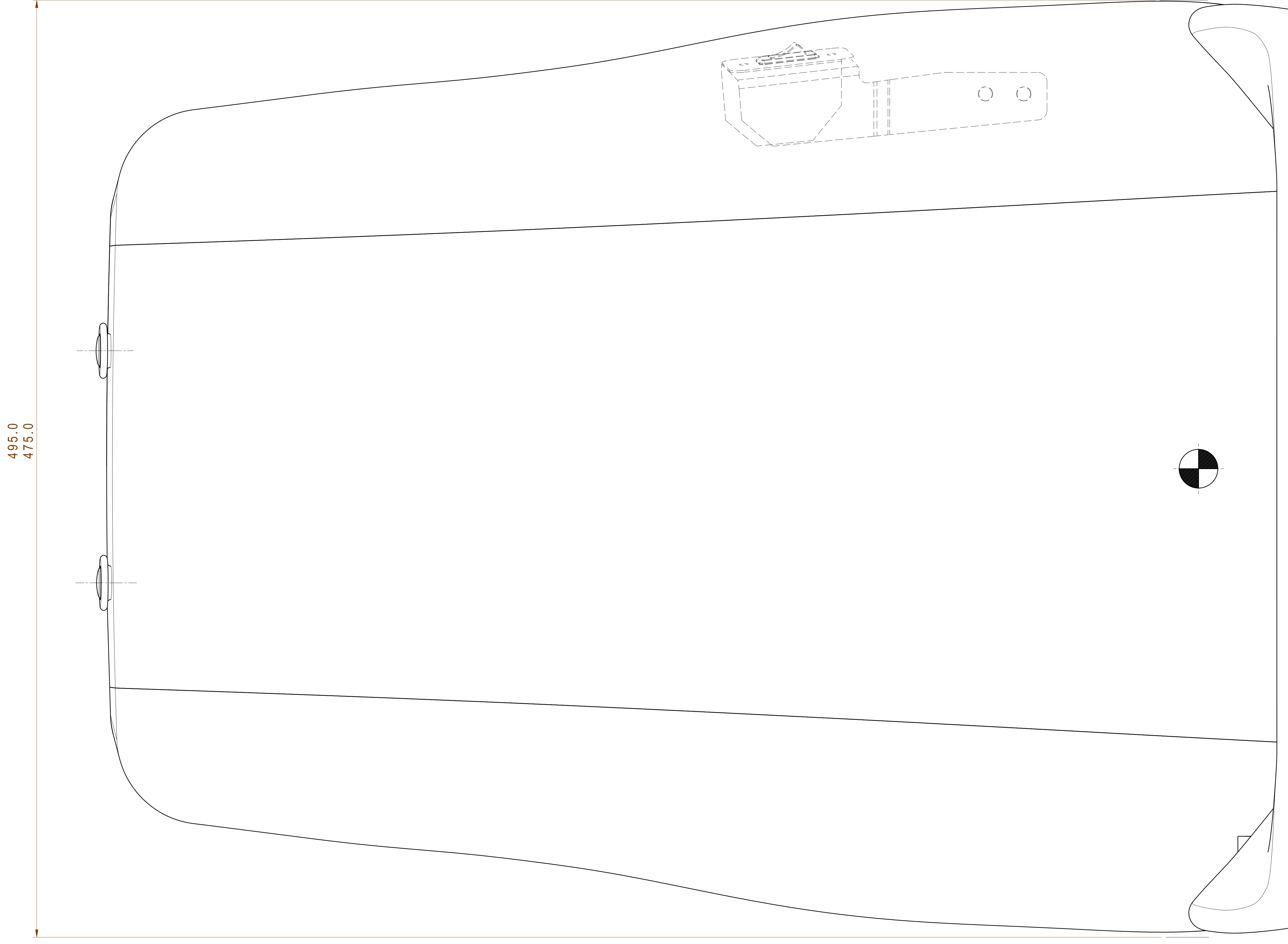


NO SHARP EDGES OR BURRS		KEY CHARACTERISTIC	ESTIMATED WEIGHT (KG)	CATIA V5	3D
CONFORM TO KAB SPEC		MATERIAL	FINISH	SCALE	DATE
(B) 065 TORQUE (GRADE 8.8) 147 TORQUE (GRADE 10.9) 148 SERIAL NUMBER				1:1	JBG 06/02/2015
DO NOT SCALE				SIZE	CHECKED DATE
3D FILE PROJECTOR				A0	1/2
DRAWING NUMBER			TITLE		
213683			554 ASSEMBLY		
ISSUE			C		

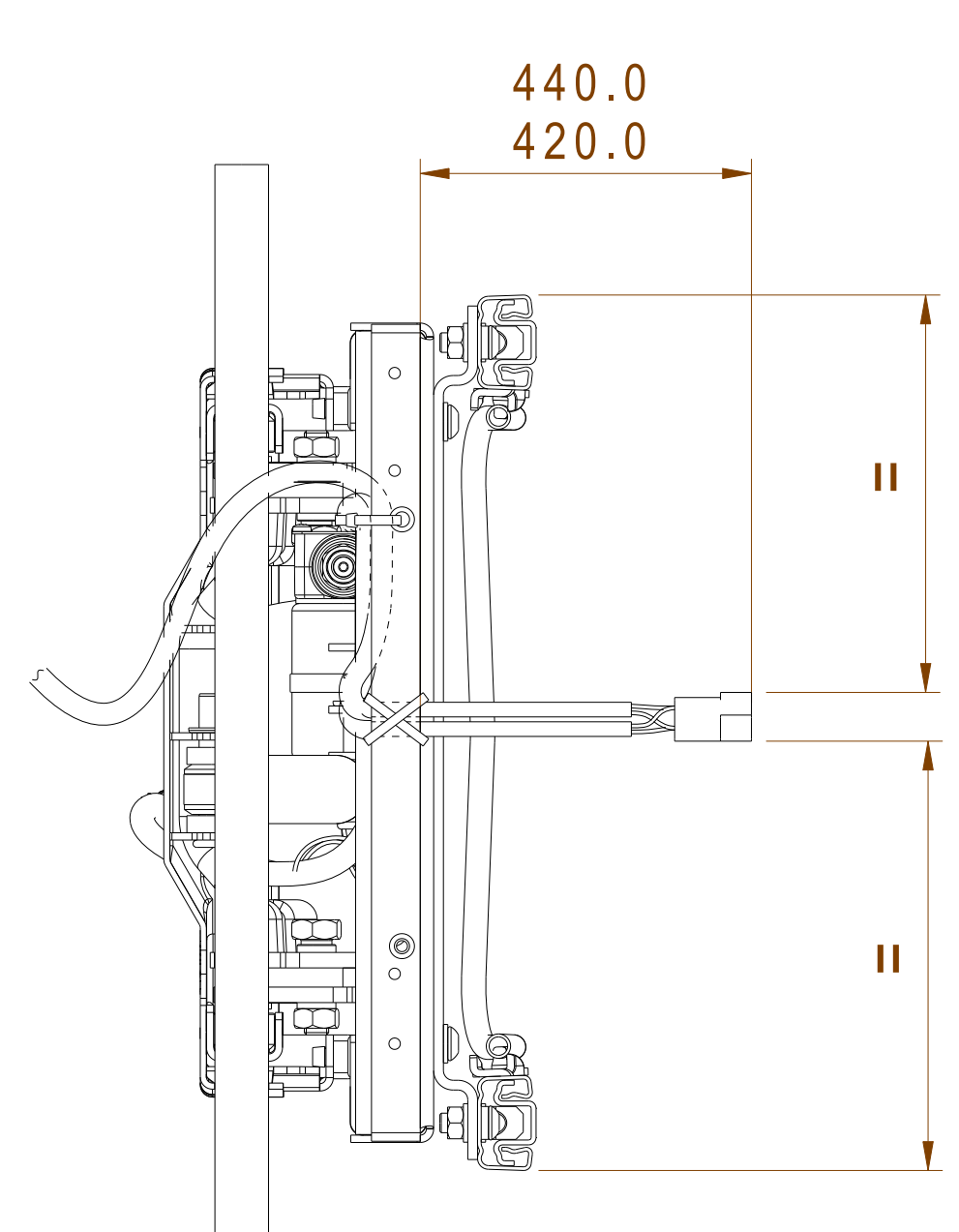
ISSUE	MODIFICATIONS
B	BODY 172129-1 WAS 180808-0 TERMINAL 170340-3 WAS 280081-2 DETAIL VIEW "A" ADDED. KAB SPECS ADDED TO TABLE REF DIMENSIONS ADDED CRO0215 MRP 06/04/2016
C	SUSPENSION COVER ASSY 166024 REMOVED. SUSPENSION COVER 164131 ADDED CRO0526 AAN 04/07/2019

MASTER DRAWING FILED ON CAD

ISSUE	MODIFICATIONS
B	SCRAP VIEW MOVED FROM SHEET ONE TO THIS SHEET. KAB SPECS ADDED TO TABLE. CRO0215 MRP 06/04/2016
C	SUSPENSION COVER ASSY 166024 REMOVED. SUSPENSION COVER 164131 ADDED. CRO0226 AAN 04/07/2019



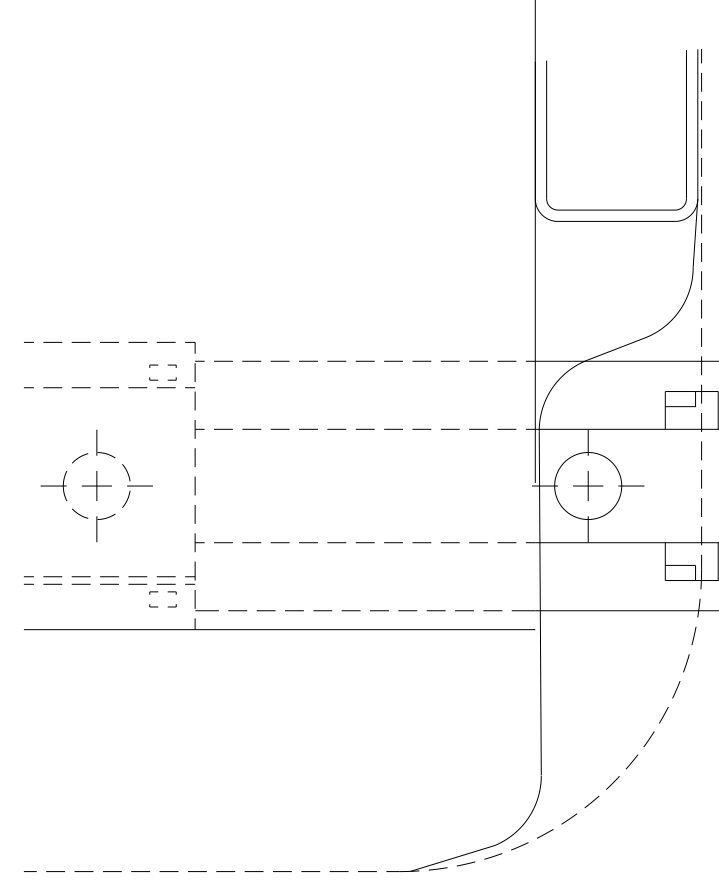
495.0  
475.0



SCRAP VIEW ON REAR OF SUSPENSION TO SHOW ROUTING OF FLYLEADS. SCALE 2:3

- HEIGHT ADJUSTMENT CONTROL OPERATION FORCE  $\leq 150N$
- WEIGHT ADJUSTMENT: 50Kg - 120Kg
- LOAD OF 100kg SLIDERAL OPERATION FORCE  $\leq 150N$
- FORE & AFT ADJUSTMENT CONTROL
- SLIDERAL DE-LATCH FORCE  $\leq 150N$
- MOUNTING CENTRES: 280.5, 279.5
- HEADREST AND SUSPENSION COVER REMOVED FOR CLARITY
- CN\_600059
- 16.5 REF
- BACK ANGLE ADJUSTMENT CONTROL OPERATION FORCE  $\leq 150N$

- 157020 4
- 157070 4
- 161774
- 165972
- 79495 4
- 151207 2
- 151141 2
- 77323
- 534902 4
- 10001 4
- 535300 4
- 20006 4
- 151207 FRONT 2
- 535002 4
- 50005 4
- 21608 REAR 2
- 21019 2
- 162374 4



SUSPENSION COVER CAN BE PUSHED BACK TO ALLOW ACCESS TO FRONT FLOOR MOUNTING HOLE

NO SHARP EDGES OR BURRS	KEY CHARACTERISTIC	ESTIMATED WEIGHT (KG)	CATIA V5 3D
CONFORM TO KAB SPEC			
(B) 065 TORQUE (GRADE 8.8) 147 TORQUE (GRADE 10.9) 148 SERIAL NUMBER			
SCALE 1:1	DATE 06/02/2015	554 ASSEMBLY	
DO NOT SCALE	CHECKED DATE	DRAWING NUMBER 213683	
OR ASSEMBLY	SIZE A0	SHEET NO. 2/2	ISSUE C